

## Features/Benefits

- Operating life 500,000 cycles
- Low profile 4 mm and 3.2 mm height
- Card detection sealed switch

## Typical Applications

- Transaction
- Identification
- POS
- MPOS



Full Size

## Mechanical

NUMBER OF CONTACTS:	8
MECHANICAL LIFE:	500,000 cycles
CARD INSERTION FORCE:	10 N max.
CARD EXTRACTION FORCE:	1 N min. / 10 N max.
CONTACT FORCE:	0,2 N / 0,60 N max.

## Packaging

Tray 25 parts or Reel 350 parts

## Soldering

Compatible with lead free SMT reflow soldering process

## Contact Electrical Data

INSULATION RESISTANCE:	1,000 M $\Omega$ min.
CONTACT RESISTANCE:	100 m $\Omega$ max.
CURRENT RATING:	10 $\mu$ A min. / 1A max.
DIELECTRIC STRENGTH:	750 Vrms min.

## Switch Electrical Data

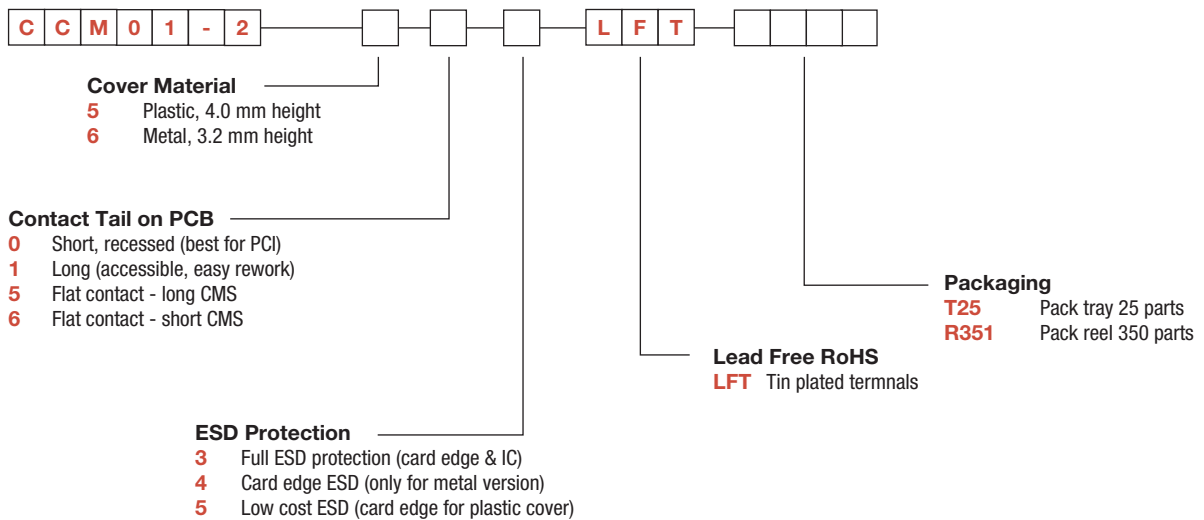
CARD DETECTION SWITCH:	Normally open
CONTACT RESISTANCE:	100 m $\Omega$ max.
DIELECTRIC STRENGTH:	250 Vrms min.
CURRENT RATING:	1 mA min. / 10 mA max.
MAXIMUM POWER:	0.2 VA

## Environmental Data

OPERATING TEMPERATURE:	-40°C to + 85°C
CARD DETECTION SWITCH:	Sealed against dust
RoHS compliant	

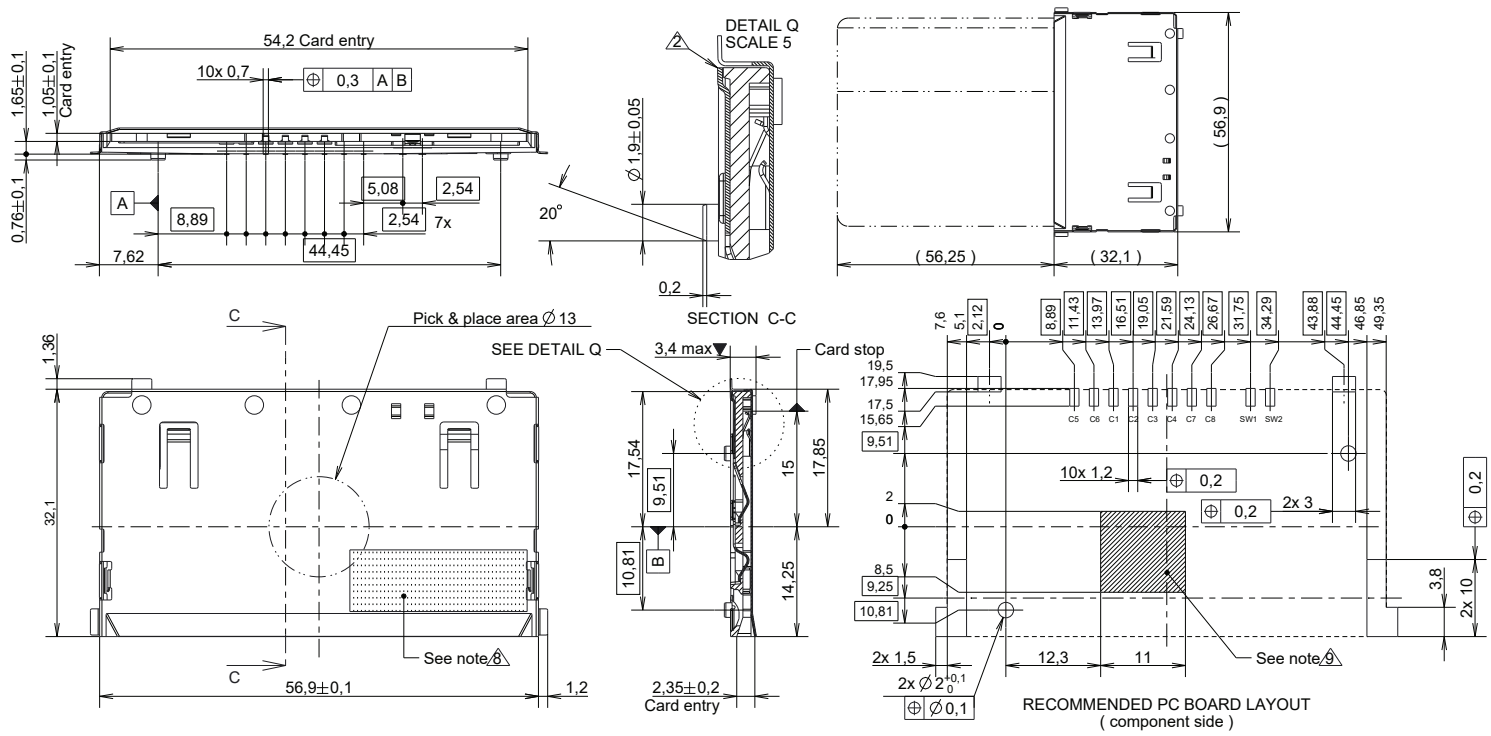
## How To Order

To order, simply select desired option from each category and place in the appropriate box. For additional options not shown in catalog, consult our Customer Service Center.

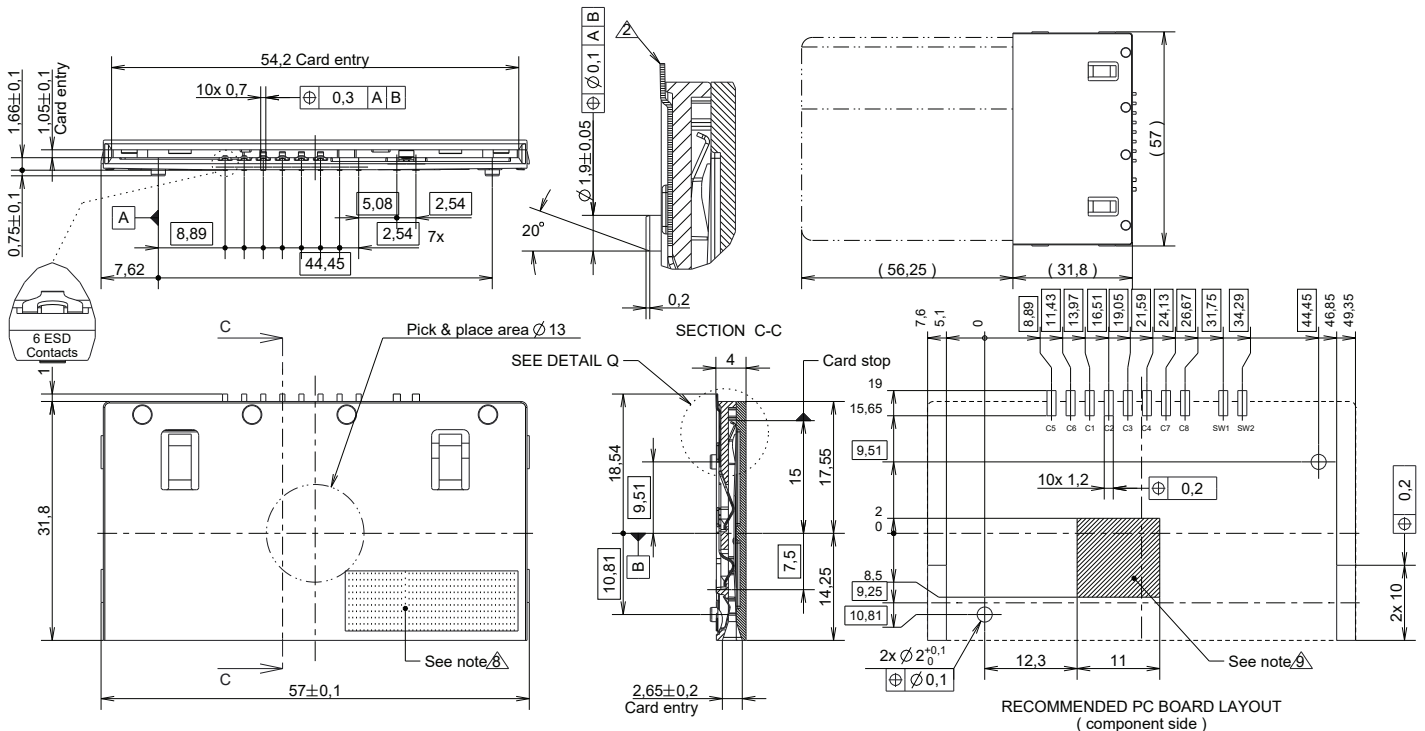


# CCM01 MK5 Series

**CCM01-2664 LFT T25** Metal cover, short tails



**CCM01-2513 LFT T25** Plastic cover, long tails, full ESD protection



6 Feb 19



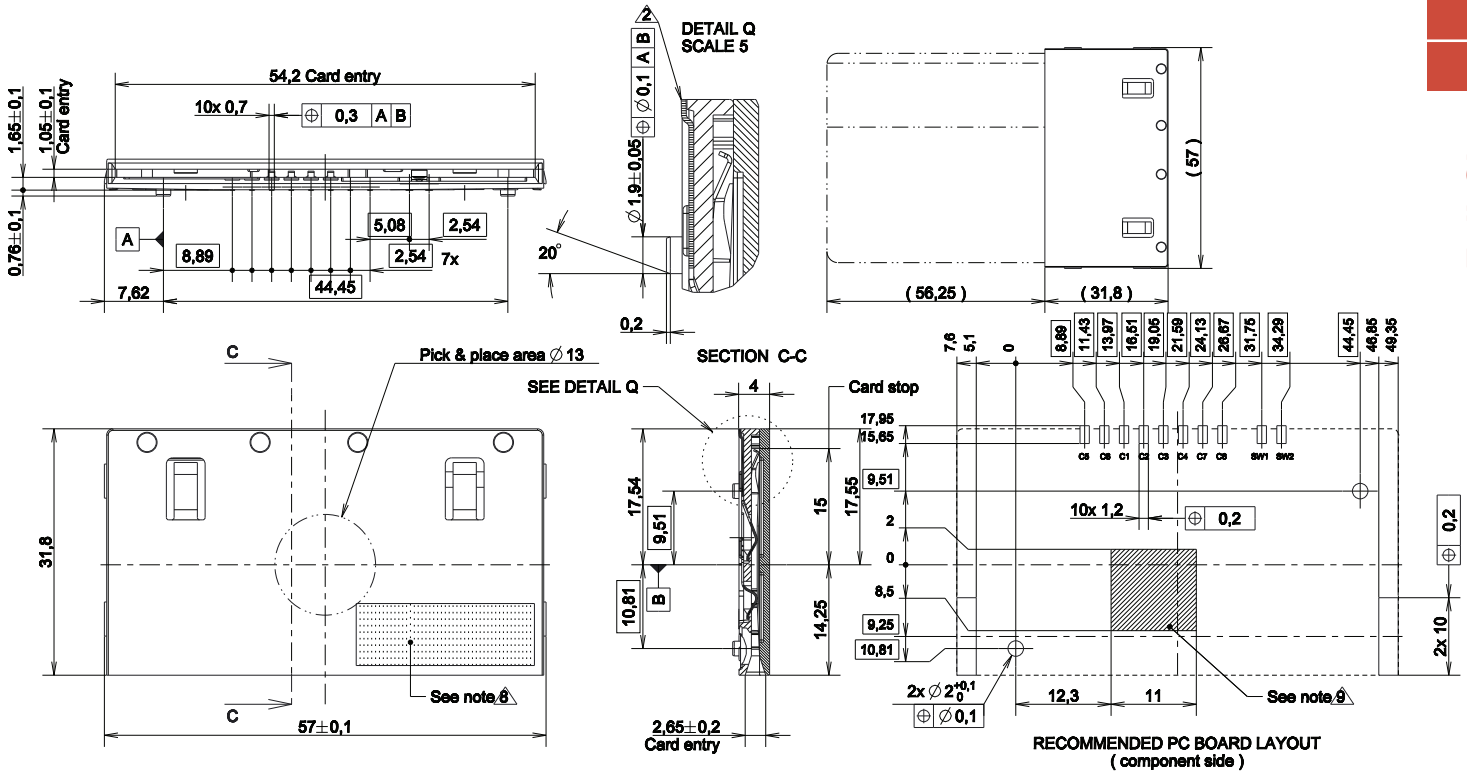
Dimensions are shown in mm  
Specifications and dimensions subject to change

[www.ckswitches.com](http://www.ckswitches.com)

# CCM01 MK5 Series

**CCM01-2565 LFT T25** Plastic cover, long tails, metal pegs

Full Size



6 Feb 19



Dimensions are shown in mm  
Specifications and dimensions subject to change

www.ckswitches.com